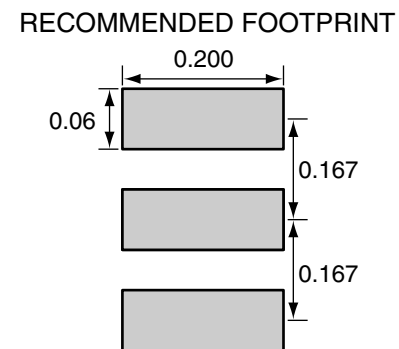
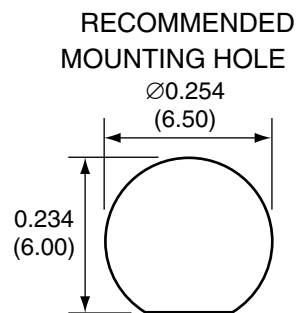
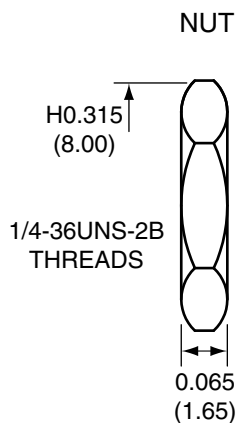
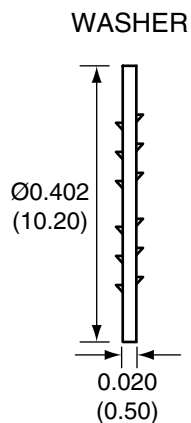
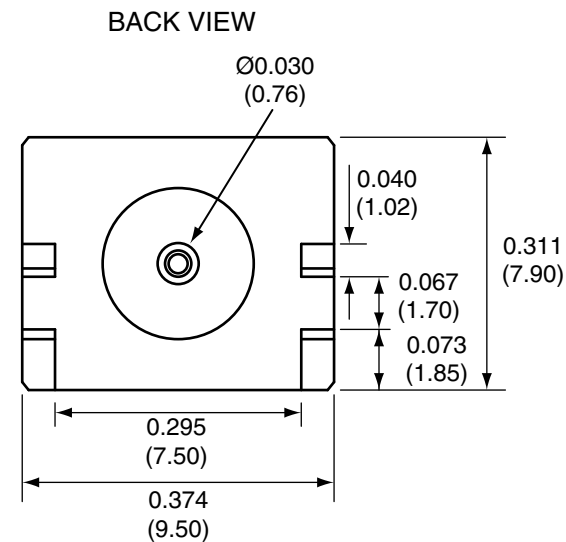
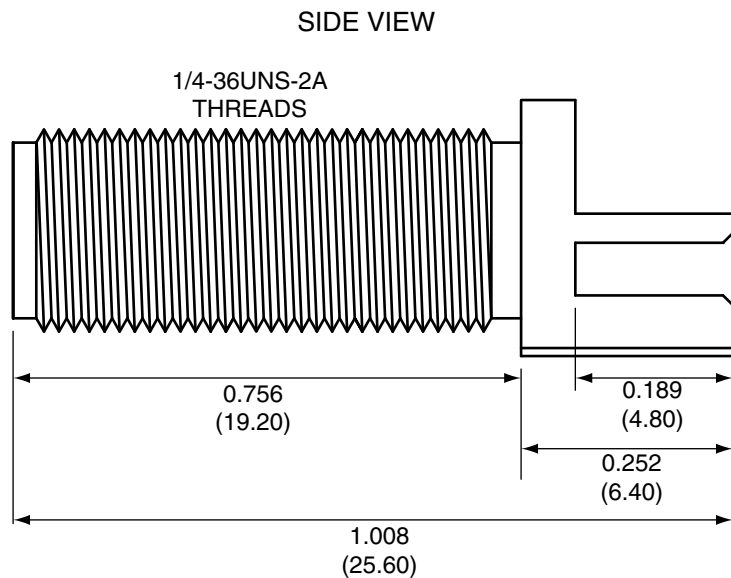


1		
Description	Material	Finish
Body	Brass	Nickel
Socket	BE CU	Gold
Insulation	Teflon	Teflon
Washer	Brass	Nickel
Nut	Brass	Nickel



Title SMA FEMALE EDGE MOUNT
FOR 0.062" THICK BOARD, EXTENDED

Part No. CONSMA003.062-L

Revision: 1.0

Dimensions: INCHES (mm)

Date: 5/21/2007

CONNECTOR CITY
159 ORT LANE
MERLIN, OR 97532
PH (541)-471-6256
FAX (541)-471-6251

Sheet 1 of 1

CONNECTOR CITY
THE VALUE OF CONNECTIONS